



HARDWARE STORE SHOPPING LIST

HAMMER

CHISEL

GLUE STICKS

HIGH QUALITY GLUE GUN

3/4" DRILL BIT

UTILITY KNIFE

CONDUIT ANCHORS

LOW VOLT WIRE CLIPS

120/240 15AMP ELECTRICAL BREAKER

1" GALVANIZED NAILS OR SCREWS (QUICKSTRAP SYSTEM ONLY)

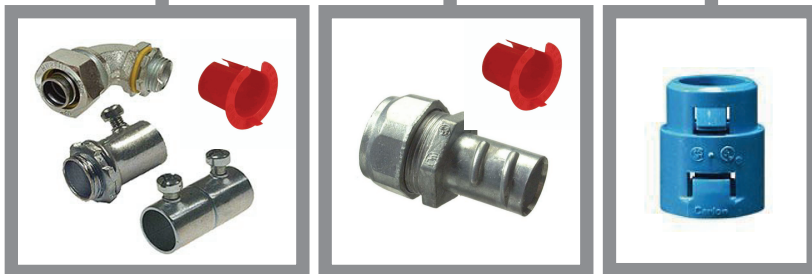
NAIL KICK PLATE

- ## LIST
- Drill and 3/4" Drill bit
 - Hammer and Chisel
 - Utility Knife
 - Hot glue gun and hot glue (or Tape)
 - UL listed Electrical Single Gang housing,
 - Baseboard kick plate,
 - 3/4" conduit tubing 48" Length
 - Appropriate conduit to housing adapters or fittings
 - Plastic bushings
 - Conduit Anchors
 - Low Volt wire clips
 - 1" Galvanized nails or wood screws
 - 120V/240V 15AMP ELECTRICAL BREAKER (IF NECESSARY)

CHOOSE ANY 3/4" ELECTRICAL CONDUIT 48" LENGTH



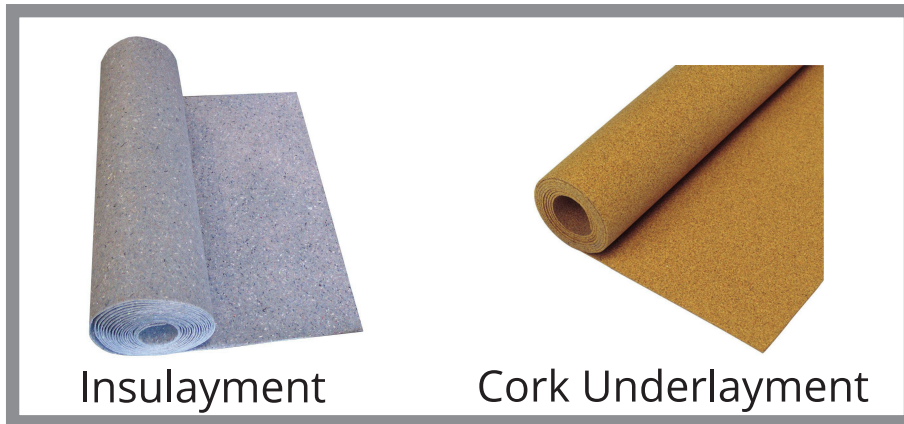
SINGLE GANG ELECTRICAL HOUSING



CHOOSE APPROPRIATE ADAPTERS, BUSHINGS AND FITTINGS

OPTIONAL ITEMS & RECOMMENDATIONS

OPTIONAL UNDERLAYMENT



Insulayment

Cork Underlayment

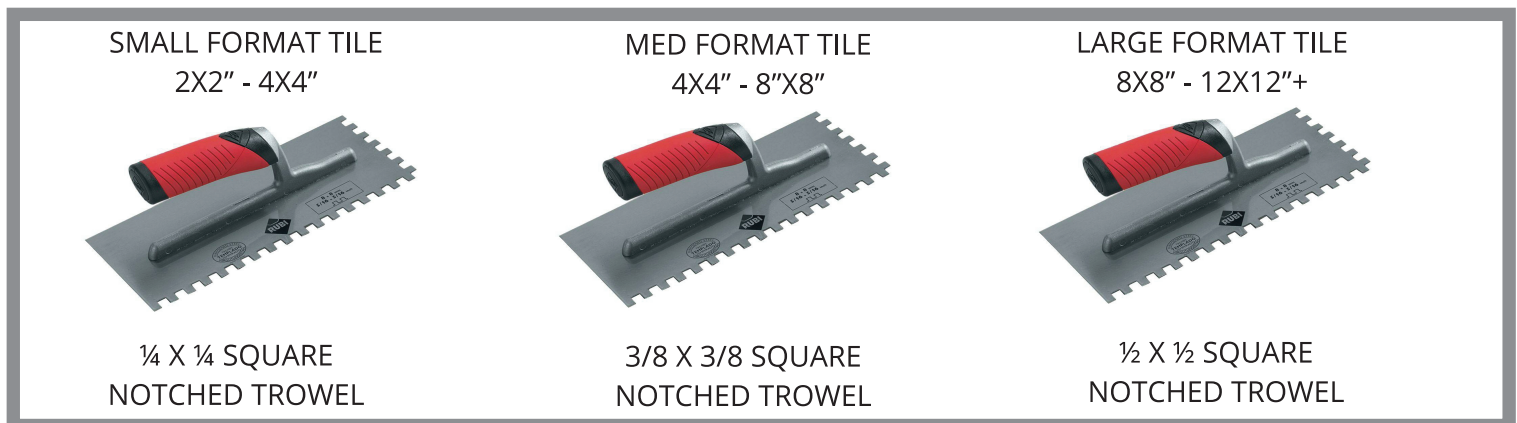
RECOMMENDED MORTARS



VERSABOND
MODIFIED THINSET
MORTAR

SELF LEVELING
CEMENT MORTAR

RECOMMENDED TROWELS



SMALL FORMAT TILE
2X2" - 4X4"

MED FORMAT TILE
4X4" - 8"X8"

LARGE FORMAT TILE
8X8" - 12X12"+

1/4 X 1/4 SQUARE
NOTCHED TROWEL

3/8 X 3/8 SQUARE
NOTCHED TROWEL

1/2 X 1/2 SQUARE
NOTCHED TROWEL